

Grove GMK4115

Product Guide



Features

- 100 t (115 USt) capacity
- 11,3 m - 52 m (37 ft - 171 ft) six-section full-power MEGAFORM™ boom with TWIN-LOCK™ pinning
- 10 m - 17 m (33 ft - 56 ft) hydraulic offset bi-fold swingaway
- 2x5 m (16 ft) intermediate lattice inserts
- 26,1 t (57,500 lb) counterweight with hydraulic removal system
- MEGATRAK™ independent hydro-pneumatic suspension



Features

MEGATRAK™

The MEGATRAK™ suspension system is the best off road driveline available on the market today. The system's versatility and performance allows the GMK4115 to operate as a true all-terrain crane. The MEGATRAK™ independent suspension and all-wheel steer system allows wheels to remain on the ground at all times so stresses and weight are not continually transferred between axles. MEGATRAK™ provides true ground clearance where others just raise the chassis.

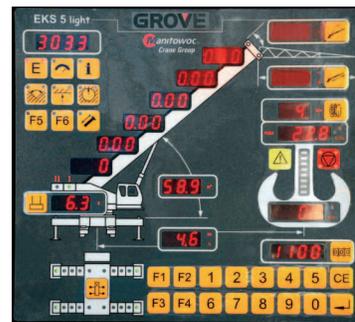
Other benefits of the MEGATRAK™ system are:

- A reliable suspension system
- Excellent job site maneuverability with all-wheel steering
- Commonality among almost all models
- A driveline that remains aligned at all times
- A steering linkage system that is protected against damage
- Constant tire contact for equal tire wear
- Reduced maintenance



TWIN-LOCK™

Boom pinning mechanism automatically pins the sections in position using two horizontal pins.



EKS 5 Light

Monitoring the lifting condition of the crane at all times EKS works together with, but independently of the ECOS as a complete command and control system or separately as a load moment indicator.

CraneSTAR

CraneSTAR is an exclusive and innovative crane asset management system that helps improve your profitability and reduce costs by remotely monitoring critical crane data. Visit www.cranestar.com for more information.

ECOS

Electronic Crane Operating System - ECOS enables control of the entire crane's principle operations. Simple programming eases lift planning and a supply of essential information allows full concentration on the lift itself.



Contents

Specifications	4
Dimensions	7
Counterweight	8
Travel proposal	9
Working range (main boom)	10
Load charts (main boom)	11
Working range (hydraulic offset swingaway)	16
Load charts (hydraulic offset swingaway)	18
Working range (manual offset swingaway)	24
Load charts (manual offset swingaway)	26
Symbols glossary	29

Specifications

Superstructure

Boom

11,3 m - 52 m (37 ft - 171 ft) six-section, full power MEGAFORM™ boom with TWIN-LOCK™ pinning.
Maximum tip height: 54,7 m (180 ft)

Boom nose

Seven nylatron sheaves, mounted on heavy duty tapered roller bearings with removable pin-type rope guards. Quick reeve boom nose. Removable auxiliary boom nose with removable pin type rope guard.

Boom elevation

Single lift cylinder with safety valve provides boom angle from -1.5° to +82°.

Hydraulic offsettable lattice extension

10 m - 17 m (33 ft - 56 ft) bi-fold lattice swingaway extension, hydraulically offsettable and luffing under load, 0° - 40°.

Maximum tip height: 71,7 m (235 ft)

*Optional offsettable lattice extension

10 m - 17 m (33 ft - 56 ft) bifold lattice swingaway extension, manually offsettable at 0°, 20° and 40°.

Maximum tip height: 71,7 m (235 ft)

*Optional lattice extension

Two 5 m (16 ft) inserts for use with lattice swingaway extension to increase length to 22 m (72 ft) or 27 m (89 ft).
Maximum tip height: 81,7m (268 ft)

Load moment and anti-two block system

Load moment and anti-two block system with audio/visual warning and control lever lockout provides electronic display of boom angle, length, radius, tip height, relative load moment, maximum permissible load, load indication and warning of impending two-block condition.

Crane control system

Full electronic control of all crane movements using electrical control levers with automatic reset to zero. Controls are integrated with the LMI and engine management system by CAN-BUS. ECOS system with graphic display.

Cab

All aluminum constructed cab with acoustical lining, hydraulic tilted to 20°. Includes tinted safety glass, adjustable operator's seat with hydraulic suspension, opening windows at side and rear, hinged windshield with wiper, sun visor and window shade. Other features include hot water heater/defroster, armrest integrated crane controls, drive/steer controls and ergonomically arranged instrumentation.

Swing

2 axial piston planetary gear boxes with fixed displacement motors. Infinitely variable to 1.9 rpm. Free swing with holding (rocker switch) and service (foot pedal) brake.

Counterweight

26,1 t (57,500 lb) consisting of various sections with hydraulic installation/removal system controlled from the superstructure cab.

Engine

Mercedes-Benz OM 904 LA direct injected, after cooled with 110 kW (148 bhp) at 2200 rpm.

Max torque: 580 Nm (428 ft/lb) at 1200 rpm.

Engine emission: EUROMOT/EPA/CARB (non-road)

Fuel tank

Integrated in carrier fuel tank.

Hydraulic system

2 separate circuits, 1 axial piston variable displacement pump (load sensing) with electronic power limiting control and 1 gear pump for swing.

Thermostatically controlled oil coolers keep oil at optimum operating temperature.

Tank capacity: 600 l (158 gal)

Electrical system

24V system with three phase alternator, 28V/80A.

2 batteries 12V/170 Ah.

Specifications

Superstructure continued



Hoist

Main and auxiliary hoist are powered by axial piston motor with planetary gear and multiple disc brake. “Thumb-thumper” hoist drum rotation indicator alerts operator of hoist movement.

	Main	Auxiliary
Rope length	255 m (837 ft)	255 m (837 ft)
Rope diameter	17 mm	17 mm
Line speed	120 m/min (394 fpm)	120 m/min (394 fpm)
Line pull	56 kN (12,589 lb)	56 kN (12,589 lb)

*Optional hookblocks

Lifting capacity	Sheaves	Weight	Parts of line	Possible load with the crane*
100 t (110 USt)	7	1000 kg (2200 lb)	2-15	82 t (90 USt)
63 t (70 USt)	5	750 kg (1653 lb)	2-11	61 t (67 USt)
40 t (44 USt)	3	550 kg (1213 lb)	1-7	39 t (43 USt)
20 t (22 USt)	1	300 kg (661 lb)	1-3	17 t (18.7 USt)
8 t (8.8 USt)	H/B	200 kg (440 lb)	1	5,7 t (6.3 USt)

* varies depending on national regulations

*Optional equipment

- ▶ Base boom mounted work lights
- ▶ Boom mounted aircraft warning light
- ▶ Stainless steel exhaust system with spark arrestor
- ▶ Diesel heater, also serves as engine preheater
- ▶ 24 hour timer for preheater
- ▶ Propane heater
- ▶ Additional worklight for superstructure cab
- ▶ Stereo radio/CD player
- ▶ Air conditioning

Carrier



Chassis

Box type, torsion resistant frame is fabricated from high strength steel.



Outrigger system

Four hydraulic single stage outrigger beams with vertical cylinders and outrigger pads, 500 mm (19,7 in) square . Outrigger can be set in 5 positions:

Full	- 7 m (23 ft)
Partial	- 6 m (19.6 ft)
Partial	- 5 m (16.4 ft)
Partial	- 4 m (13.2 ft)
Retracted	- 2,6 m (8.4 ft)

Independent horizontal and vertical movement controlled from each side of carrier and the superstructure cab. Electronic crane level indicators. Includes outrigger monitoring system.



Engine

Mercedes-Benz OM 460 LA direct injected with 315 kW (422 bhp) at 1800 rpm.

Max torque: 2100 Nm (1549 ft/lb) at 1300 rpm.

Engine emission: EUROMOT/EPA/CARB Tier IVi (non-road)



Fuel tank capacity

400 L (106 gal). Supplies superstructure and carrier engines.



Transmission

Daimler Chrysler, G240-16

16 forward and 2 reverse speeds

2 speed transfer case



Drive/steer

8x6x8



Axles

1st axle line – drive/steer

2nd axle line – steer (optional drive)

3rd axle line – drive/steer (connects for all-wheel steer)

4th axle line – drive/steer

Drive axles with planetary hub reduction and center mounted gearing. Standard inter-axle and cross axle differential locks.

Specifications

Carrier continued



Suspension

Grove exclusive MEGATRAK suspension. Independent hydro-pneumatic system acting on all wheels with hydraulic lockout. Suspension can be raised 170 mm (6.7 in) or lowered 130 mm (5.1 in), both longitudinally and transversely. Features an automatic leveling system for highway travel.



Tires

8 tires, 445/95 R25 (16.00 R25)
(vehicle width – 2,75 m [9.0 ft])



Steering

Dual circuit, hydraulic power assisted steering system. Transfer case mounted, ground driven emergency steering pump. Axles 1, 2, and 4 steer on highway. Separate steering of the 3rd and 4th axles for all wheel and crab steering, controlled by an electronic rocker switch.



Brakes

Service brakes: pneumatic dual circuit acting on all wheels.
Parking brake: pneumatically operated spring loaded brake acting on axle lines 2 and 4.
Standard anti-lock prevention (ABS).
Air dryer.



Cab

Two-man, aluminum construction with the following features: safety glass, driver and passenger seats with hydraulic suspension, engine-dependent hot water heater, power windows, heated rear view mirrors, complete instrumentation and driving controls.
ECOS control of suspension, drive connect and disconnect, inter-axle locks, differential locks and all-wheel steer.



Electrical system

24V system with three phase alternator, 28V/100A
2 batteries, 12V/170 Ah



Maximum speed

85 kph (53 mph)



Gradeability (theoretical)

63.7% - 14.00 tires
56.7% - 16.00/20.5 tires

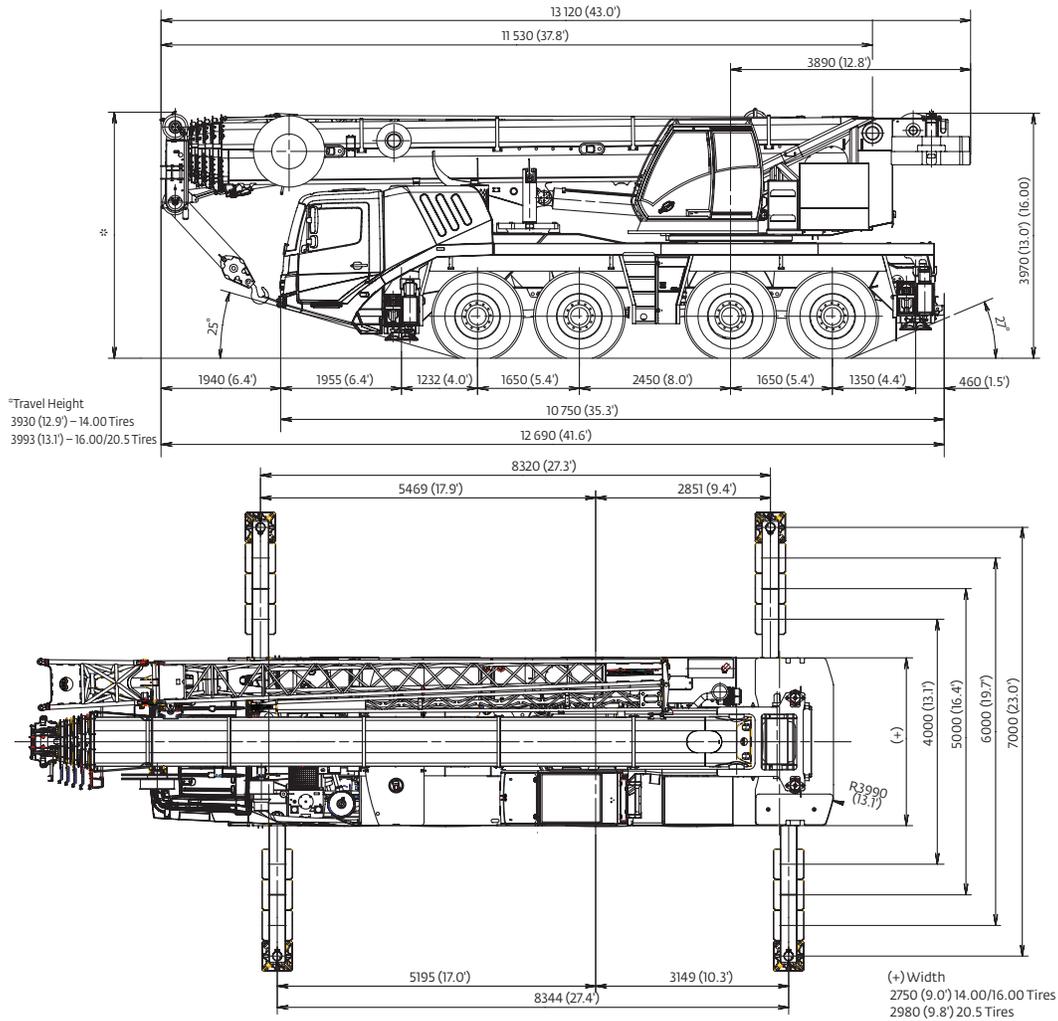
Miscellaneous standard equipment

Work light; tool kit; fire extinguisher; auxiliary boom nose; radio /CD player in carrier cab, heated rear view mirrors, wind speed indicator, CraneSTAR asset management system.

*Optional equipment

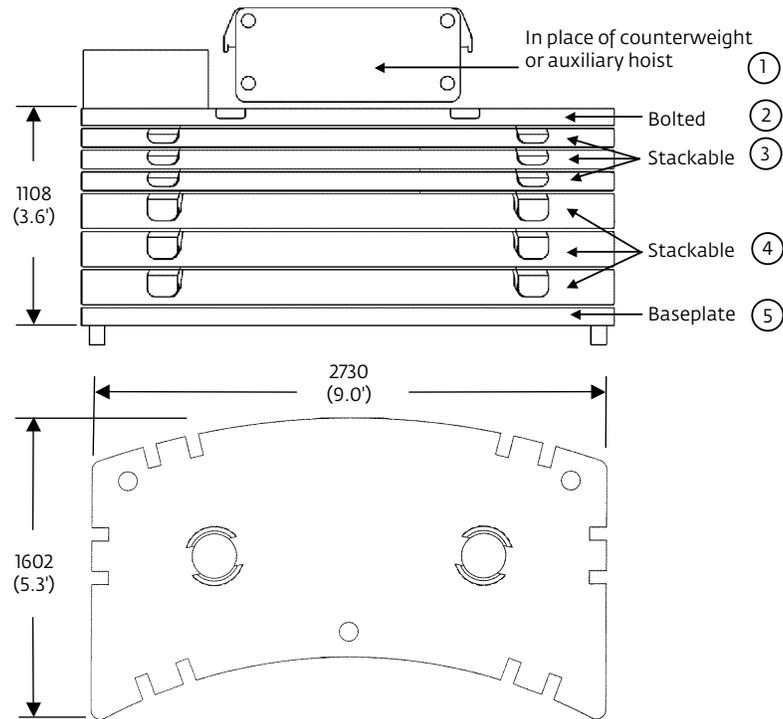
- ▶ Stainless steel exhaust system with spark arrestor
- ▶ 385/95 R25 tires (14.00 R25)
(vehicle width 2,75 m [9.0 ft])
- ▶ 525/80 R25 tires (20.5 R25)
(vehicle width 2,88 m [9.8 ft])
- ▶ Spare tire and wheel with carry bracket
- ▶ 8x8x8 drive/steer (additional drive, axle #2)
- ▶ Electric driveline retarder
- ▶ Steel outrigger pads
- ▶ Outrigger pad load indicator
- ▶ Trailer and towing hitches
- ▶ Engine independent diesel cab heater, with engine pre-heater
- ▶ Timer for diesel heater
- ▶ Air conditioning
- ▶ Additional strobe lights
- ▶ Work lights for outriggers
- ▶ Working range limiter
- ▶ Wireless remote control for all crane functions
- ▶ Data logger
- ▶ Rear mounted stowage box
- ▶ Optional engine: Tier III Mercedes Benz OM 460 LA, 295 kW (395 hp) at 1800 rpm.
Max. torque 1900 Nm at 1300 rpm (non-road).

Dimensions



Basic weights	Axles 1 and 2		Axles 3 and 4		Total	
	kg	lb	kg	lb	kg	lb
Mercedes power, Tier 4i, 14.00R25 tires, 8x6x8 drive/steer, 2nd oil cooler, outrigger floats installed, 3,5 t (7716 lb) bolted counterweight	21 477	47,349	21 653	47,737	43 130	95,085
Additions:						
16.00R25 tires plus decking	265	584	265	584	530	1168
20.5R25 tires plus decking	433	955	433	955	866	1910
14.00R25 spare tire with bracket	-179	-395	439	968	260	573
16.00R25 spare tire with bracket	-222	-489	542	1195	320	705
20.5R25 spare tire with bracket	-254	-560	616	1358	362	798
8x8x8 drive/steer	261	575	69	152	330	728
Electric driveline retarder	-27	-60	287	633	260	573
Brackets for swingaway	99	218	-9	-20	90	198
Hose reel for luffing swingaway	339	747	-164	-362	175	386
10 m - 17 m (33 ft - 56 ft) swingaway	1608	3545	-303	-668	1305	2877
Auxiliary boom nose	138	304	-78	-172	60	132
Auxiliary hoist	-154	-340	449	990	295	650
Removals:						
Outrigger floats (front and rear)	-58	-128	-62	-137	-120	-265

Counterweight

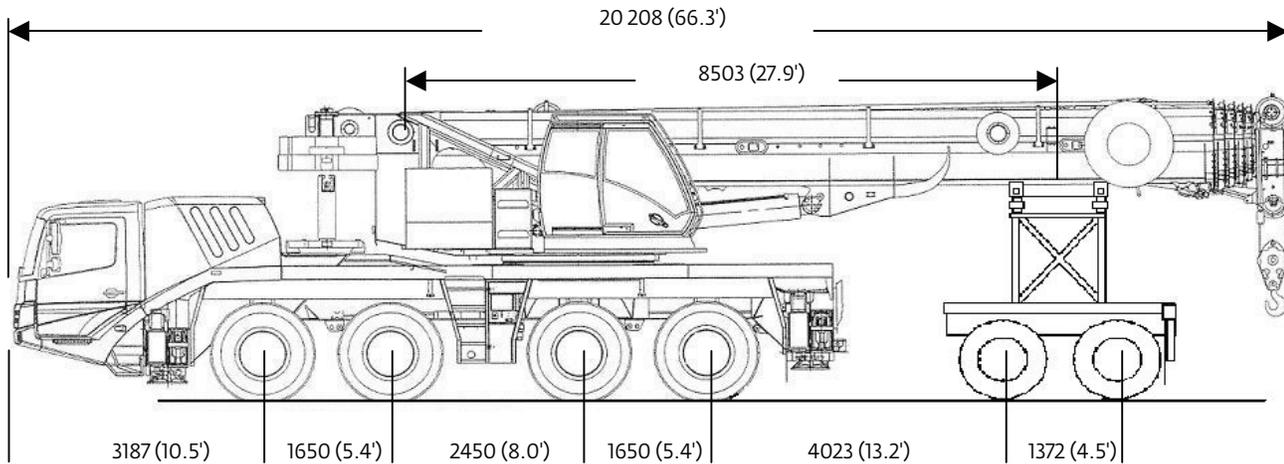


	1	2	3	4	5
	600 kg (1300 lb)	3500 kg (7700 lb)	2200 kg (4850 lb)	4400 kg (9700 lb)	2200 kg (4850 lb)
4100 kg (9000 lb)	x	x			
6300 kg (13,800 lb)	x	x			X
8500 kg (18,700 lb)	x	x	x		X
10 700 kg (23,500 lb)	x	x		X	X
12 900 kg (28,400 lb)	x	x	x	X	X
15 100 kg (33,200 lb)	x	x		2X	X
17 300 kg (38,100 lb)	x	x	x	2X	X
19 500 kg (42,900 lb)	x	x	2X	2X	X
21 700 kg (47,800 lb)	x	x	X	3X	X
23 900 kg (52,600 lb)	x	x	2X	3X	X
26 100 kg (57,500 lb)	x	x	3X	3X	X

THIS CHART IS ONLY A GUIDE AND SHOULD NOT BE USED TO OPERATE THE CRANE.

The individual crane's load chart, operating instructions and other instructional plates must be read and understood prior to operating the crane

Trailing boom proposal



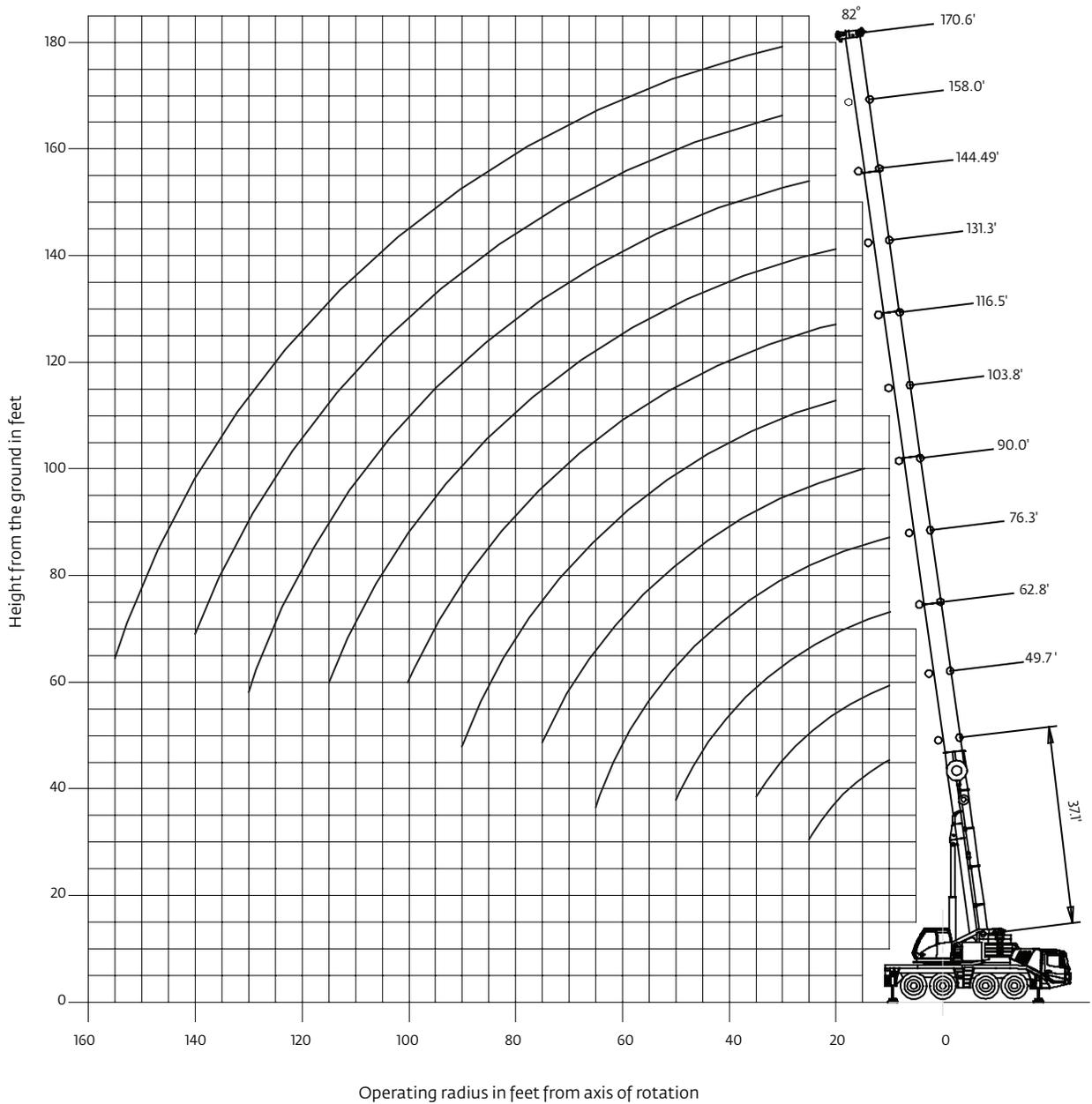
Basic weights								
	Axles 1 and 2		Axles 3 and 4		Dolly		Total	
	kg	lb	kg	lb	kg	lb	kg	lb
Mercedes power, Tier 4i, 16.00 tires, 8x6x8 drive/steer, outrigger pads stowed, auxiliary hoist, 56 ft swingaway stowed, additional oil cooler, 3500 (7716 lb) counterweight slab bolted to superstructure and 6000 lb boom dolly, 16 USt of extend boom boost with boom telescoped 13 ft	17 664	38,942	17 466	38,505	13 325	29,377	48 455	106,823
Additions:								
14.00R25 tires	-265	-584	-265	-584	-	-	-530	-1168
20.5R25 tires	168	370	168	370	-	-	336	740
8x8x8 drive/steer	261	575	69	152	-	-	330	728
Removals:								
Hydraulic hose reel	14	31	4	9	-194	-428	-175	-387
Brackets for swingaway	-20	-44	-6	-13	-63	-139	-90	-197
10 m - 17 m (33 - 56 ft) swingaway	-231	-509	-72	-159	-1002	-2209	-1305	-2877
Front and rear outrigger floats	-59	-130	-61	-135	-	-	-265	-265

THIS CHART IS ONLY A GUIDE AND SHOULD NOT BE USED TO OPERATE THE CRANE.

Working range

Main boom

11,3 m - 52 m (31 ft - 171 ft) main boom



THIS CHART IS ONLY A GUIDE AND SHOULD NOT BE USED TO OPERATE THE CRANE.

The individual crane's load chart, operating instructions and other instructional plates must be read and understood prior to operating the crane

Load chart

Main boom


11,3 m - 52 m
(37 ft - 171 ft)


26 082 kg
(57,500 lb)


7,0 m
(23 ft)
100%


360°



Pounds x 1000

Feet	37.1	49.7	62.8	76.3	90.0	103.8	116.5	131.3	144.9	158.0	170.6	Feet
8	* 230.0											8
10	161.0	146.0	138.0	123.0								10
15	126.0	123.0	115.0	108.0	93.0							15
20	101.0	102.0	95.0	89.0	84.0	71.0	56.0	41.8				20
25	85.0	85.0	80.0	75.0	72.0	65.0	52.0	41.8	32.2			25
30		73.0	70.0	65.0	62.0	58.0	47.0	41.0	32.2	25.4	21.0	30
35		63.0	62.0	56.0	54.0	53.0	42.0	37.8	32.2	25.4	21.0	35
40			52.0	49.0	48.0	47.0	37.6	34.2	31.4	25.4	21.0	40
45			43.2	42.6	41.6	41.6	34.0	31.0	28.8	25.4	21.0	45
50			37.8	37.8	36.0	36.2	30.8	28.4	26.4	24.2	21.0	50
55				32.6	32.4	31.8	28.0	25.6	24.2	22.6	20.8	55
60				28.4	29.6	28.2	25.6	23.2	21.8	21.0	19.6	60
65				24.8	26.2	25.2	24.0	21.4	20.2	19.4	18.4	65
70					23.4	22.4	22.8	19.8	18.8	18.0	17.4	70
75					20.8	19.8	21.0	18.4	17.4	16.8	16.4	75
80						18.6	18.8	16.6	16.0	15.4	15.2	80
85						17.8	16.8	15.4	14.6	14.2	14.0	85
90						16.2	15.2	14.6	13.2	12.8	12.6	90
95							13.8	13.6	12.2	11.8	11.8	95
100							12.4	12.6	11.2	11.0	11.0	100
105								11.8	10.6	10.2	10.2	105
110								10.8	10.2	9.6	9.8	110
115								9.8	9.8	9.2	9.0	115
120									9.0	8.6	8.0	120
125									8.2	8.0	7.2	125
130									7.6	7.2	6.6	130
135										6.6	5.8	135
140										6.0	5.2	140
145											4.6	145
150											4.2	150
155											3.6	155

*Over rear with special equipment

THIS CHART IS ONLY A GUIDE AND SHOULD NOT BE USED TO OPERATE THE CRANE.

The individual crane's load chart, operating instructions and other instructional plates must be read and understood prior to operating the crane

Load chart

Main boom



11,3 m - 52 m
(37 ft - 171 ft)



23 859 kg
(52,600 lb)



7,0 m
(23 ft)
100%



360°



Pounds x 1000

Feet	37.1	49.7	62.8	76.3	90.0	103.8	116.5	131.3	144.9	158.0	170.6	Feet
10	161.0	146.0	138.0	123.0								10
15	126.0	123.0	115.0	108.0	93.0							15
20	101.0	102.0	95.0	89.0	84.0	71.0	56.0	41.8				20
25	84.0	85.0	80.0	75.0	72.0	65.0	52.0	41.8	32.2			25
30		72.0	70.0	65.0	62.0	58.0	47.0	41.0	32.2	25.4	21.0	30
35		61.0	59.0	56.0	54.0	53.0	42.0	37.8	32.2	25.4	21.0	35
40			49.0	47.0	46.0	46.0	37.6	34.2	31.4	25.4	21.0	40
45			41.0	41.6	39.2	39.4	34.0	31.0	28.8	25.4	21.0	45
50			36.0	35.8	35.4	34.2	30.8	28.4	26.4	24.2	21.0	50
55				30.6	32.0	30.0	28.0	25.6	24.2	22.6	20.8	55
60				26.6	28.0	26.6	25.6	23.2	21.8	21.0	19.6	60
65				24.8	24.6	23.6	24.0	21.4	20.2	19.4	18.4	65
70					21.8	20.8	21.8	19.0	18.8	18.0	17.4	70
75					19.2	19.6	19.4	17.2	17.0	16.8	16.4	75
80						18.4	17.4	16.2	15.4	15.4	15.2	80
85						16.6	15.6	15.4	13.8	14.2	14.0	85
90						15.0	14.0	14.6	12.6	12.8	12.6	90
95							12.6	13.2	11.8	11.6	11.8	95
100								11.4	12.0	11.2	10.8	100
105									10.8	10.6	10.2	105
110									9.8	9.8	9.6	110
115									8.8	9.0	8.8	115
120										8.2	8.0	120
125										7.4	7.2	125
130										6.8	6.4	130
135											5.8	135
140											5.2	140
145												145
150												150
155												155

THIS CHART IS ONLY A GUIDE AND SHOULD NOT BE USED TO OPERATE THE CRANE.

The individual crane's load chart, operating instructions and other instructional plates must be read and understood prior to operating the crane

Load chart

Main boom


11,3 m - 52 m
(37 ft - 171 ft)


19 459 kg
(42,900 lb)


7,0 m
(23 ft)
100%


360°



Pounds x 1000

Feet	37.1	49.7	62.8	76.3	90.0	103.8	116.5	131.3	144.9	158.0	170.6	Feet
10	161.0	146.0	138.0	123.0								10
15	125.0	123.0	115.0	108.0	93.0							15
20	101.0	101.0	95.0	89.0	84.0	71.0	56.0	41.8				20
25	84.0	85.0	80.0	75.0	72.0	65.0	52.0	41.8	32.2			25
30		69.0	65.0	61.0	60.0	58.0	47.0	41.0	32.2	25.4	21.0	30
35		55.0	53.0	52.0	49.0	49.0	42.0	37.8	32.2	25.4	21.0	35
40			45.0	43.4	42.8	40.8	37.6	34.2	31.4	25.4	21.0	40
45			37.4	37.0	37.2	35.0	32.8	31.0	28.8	25.4	21.0	45
50			31.4	32.0	32.2	30.2	29.8	27.4	26.4	24.2	21.0	50
55				28.6	28.0	26.4	26.8	23.8	23.6	22.6	20.8	55
60				24.8	24.2	23.4	23.8	20.8	20.8	21.0	19.6	60
65				21.6	21.2	21.8	21.2	19.4	18.2	18.6	18.4	65
70					18.6	19.8	18.8	18.2	17.0	16.8	16.8	70
75					17.4	17.6	16.6	17.0	16.0	15.6	15.0	75
80						15.6	14.8	15.4	14.8	14.6	13.4	80
85						14.0	13.2	13.6	13.8	13.2	12.0	85
90						12.6	12.6	12.2	12.4	12.0	10.8	90
95							11.8	11.0	11.0	10.8	9.8	95
100							10.6	10.2	10.0	9.8	8.8	100
105								9.6	9.2	8.8	8.0	105
110								8.8	8.2	7.8	7.0	110
115								8.0	7.4	7.0	6.2	115
120									6.6	6.2	5.4	120
125									6.0	5.6	4.8	125
130									5.4	5.0	4.2	130
135										4.4	3.6	135
140										3.8	3.0	140
145											2.6	145
150											2.2	150
155											1.6	155

THIS CHART IS ONLY A GUIDE AND SHOULD NOT BE USED TO OPERATE THE CRANE.

Load charts

Main boom



11,3 m - 52 m
(37 ft - 171 ft)



12 882 kg
(28,400 lb)



7,0 m
(23 ft)
100%



360°



Pounds x 1000

Feet	37.1	49.7	62.8	76.3	90.0	103.8	116.5	131.3	144.9	158.0	170.6	Feet
10	160.0	146.0	138.0	123.0								10
15	124.0	123.0	115.0	108.0	93.0							15
20	100.0	101.0	93.0	88.0	84.0	71.0	56.0	41.8				20
25	77.0	75.0	70.0	68.0	63.0	62.0	52.0	41.8	32.2			25
30		58.0	56.0	53.0	49.0	49.0	46.0	41.0	32.2	25.4	21.0	30
35		44.0	45.0	43.4	42.8	39.8	28.8	35.6	32.2	25.4	21.0	35
40			36.0	37.6	35.6	33.0	33.2	29.6	29.0	25.4	21.0	40
45			31.0	31.4	30.0	29.8	28.2	25.6	24.4	24.4	21.0	45
50			25.8	26.2	25.6	26.2	24.2	23.8	22.6	22.2	21.0	50
55				22.2	22.6	22.8	21.0	21.0	20.4	19.8	18.4	55
60				19.2	20.4	20.0	19.0	18.4	18.2	17.2	16.0	60
65				16.8	17.8	17.2	17.6	16.6	16.2	15.2	14.0	65
70					15.6	15.0	15.6	15.4	14.4	13.4	12.4	70
75					13.8	13.6	13.8	13.8	12.8	12.0	10.8	75
80						12.6	12.2	12.2	11.4	10.6	9.6	80
85						11.2	10.8	10.8	10.2	9.4	8.4	85
90						9.0	9.8	9.6	9.0	8.4	7.4	90
95							8.8	8.6	8.0	7.6	6.6	95
100							7.8	7.6	7.0	6.6	5.6	100
105								6.8	6.2	5.8	5.0	105
110								6.0	5.4	5.0	4.2	110
115								5.2	4.6	4.2	3.4	115
120									4.0	3.6	2.8	120
125									3.4	3.0	2.4	125
130									3.0	2.6	1.8	130
135										2.0		135
140										1.6		140



11,3 m - 52 m
(37 ft - 171 ft)



8482 kg
(18,700 lb)



7,0 m
(23 ft)
100%



360°



Pounds x 1000

Feet	37.1	49.7	62.8	76.3	90.0	103.8	116.5	131.3	144.9	158.0	170.6	Feet
10	159.0	146.0	138.0	123.0								10
15	123.0	123.0	115.0	108.0	93.0							15
20	99.0	91.0	84.0	80.0	74.0	71.0	56.0	41.8				20
25	65.0	67.0	63.0	59.0	58.0	54.0	50.0	41.8	32.2			25
30		49.0	48.0	48.0	45.0	41.8	41.0	36.8	32.2	25.4	21.0	30
35		36.8	39.2	38.6	36.2	35.4	33.4	30.4	28.8	25.4	21.0	35
40			31.4	31.6	29.6	30.0	27.6	27.4	26.2	23.6	21.0	40
45			25.6	26.0	26.4	25.2	24.0	23.2	22.8	21.6	20.0	45
50			21.2	21.6	23.0	21.6	21.4	20.8	19.6	18.4	17.0	50
55				19.4	19.6	18.6	18.6	18.2	17.0	16.0	14.6	55
60				16.6	16.8	17.2	16.4	15.8	14.8	13.8	12.6	60
65				14.2	14.4	15.0	14.6	14.0	12.8	12.0	10.8	65
70					12.6	13.0	12.8	12.2	11.2	10.6	9.4	70
75					10.8	11.4	11.2	10.8	10.0	9.2	8.2	75
80						10.0	9.8	9.6	8.8	8.0	7.0	80
85						8.8	8.6	8.4	7.6	7.0	6.0	85
90						6.8	7.4	7.2	6.6	6.2	5.2	90
95							6.6	6.4	5.8	5.4	4.4	95
100							5.8	5.6	5.0	4.4	3.6	100
105								4.8	4.2	3.8	3.0	105
110								4.2	3.4	3.0	2.4	110
115								3.6	2.8	2.4	1.8	115
120									2.4	2.0		120
125									1.8			125

THIS CHART IS ONLY A GUIDE AND SHOULD NOT BE USED TO OPERATE THE CRANE.

The individual crane's load chart, operating instructions and other instructional plates must be read and understood prior to operating the crane

Load chart

Main boom


11,3 m - 52 m
(37 ft - 171 ft)


4082 kg
(9000 lb)


7,0 m
(23 ft)
100%


360°



 Pounds x 1000

Feet	37.1	49.7	62.8	76.3	90.0	103.8	116.5	131.3	144.9	158.0	170.6	Feet
10	158.0	146.0	138.0	123.0								10
15	123.0	123.0	111.0	100.0	93.0							15
20	83.0	79.0	74.0	68.0	66.0	60.0	44.0	41.8				20
25	53.0	56.0	53.0	52.0	48.0	44.0	43.4	38.2	32.2			25
30		40.2	41.4	39.4	36.8	36.6	33.6	32.8	28.6	25.4	21.0	30
35		30.2	32.2	31.2	29.2	29.4	28.8	27.8	26.0	23.4	21.0	35
40			25.2	25.4	25.8	24.0	23.8	23.0	21.4	20.2	18.6	40
45			20.4	22.0	21.6	21.2	20.4	19.4	18.0	16.8	15.4	45
50			16.6	18.2	18.2	18.2	17.2	16.4	15.2	14.2	13.0	50
55				15.2	15.4	15.6	14.8	14.0	13.0	12.0	10.8	55
60				12.8	13.0	13.4	12.8	12.2	11.2	10.4	9.2	60
65				10.8	11.0	11.4	11.2	10.6	9.6	8.8	7.6	65
70					9.4	9.8	9.6	9.2	8.2	7.4	6.4	70
75					8.0	8.4	8.2	8.0	7.0	6.4	5.4	75
80						7.2	7.0	6.8	6.0	5.4	4.4	80
85						6.2	6.0	5.8	5.2	4.4	3.6	85
90						4.2	5.0	4.8	4.2	3.8	2.8	90
95							4.2	4.0	3.4	3.0	2.0	95
100							3.6	3.4	2.8	2.4	1.4	100
105								2.8	2.2	1.8		105
110								2.2	1.6			110
115								1.6				115

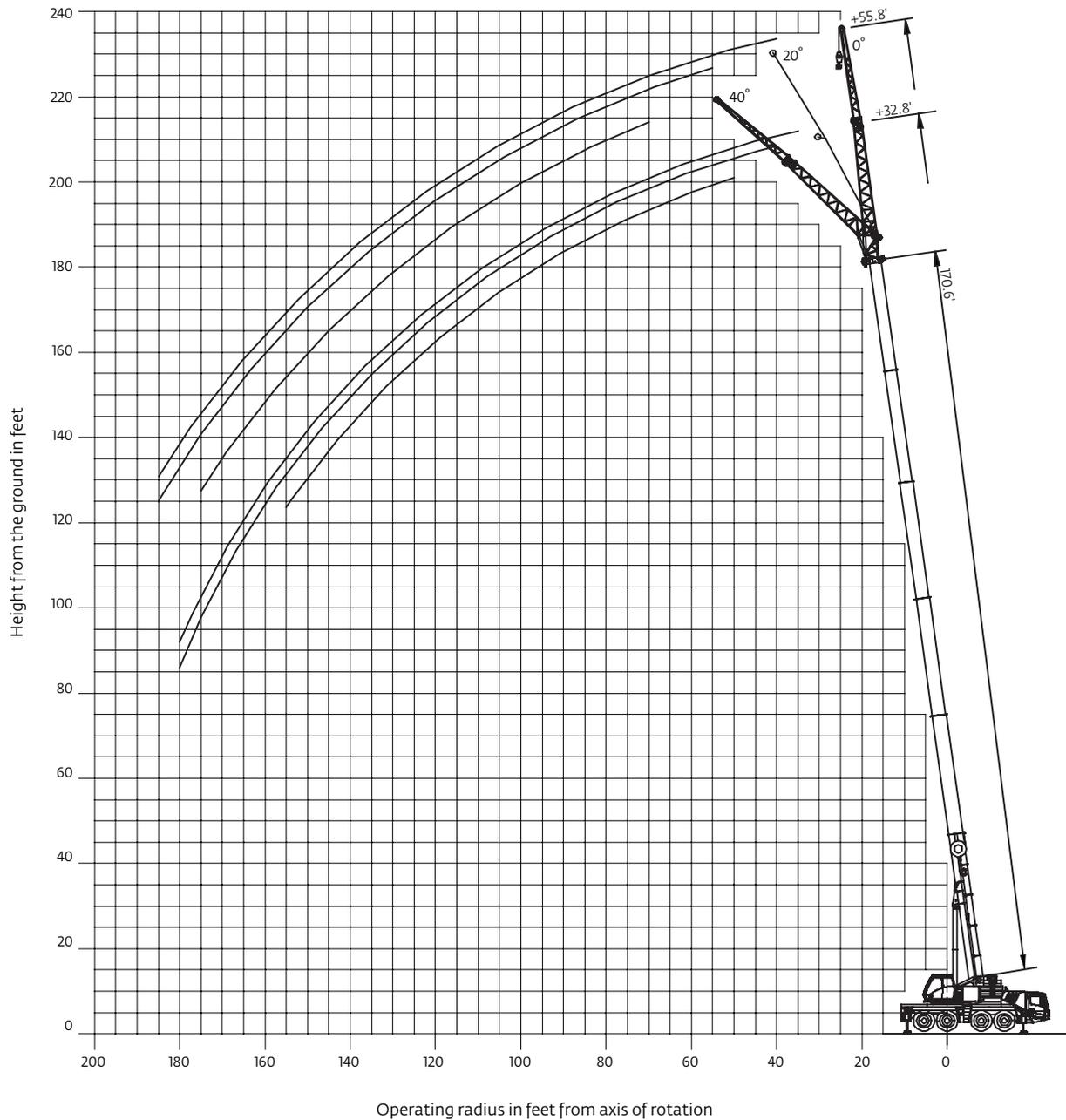
THIS CHART IS ONLY A GUIDE AND SHOULD NOT BE USED TO OPERATE THE CRANE.

The individual crane's load chart, operating instructions and other instructional plates must be read and understood prior to operating the crane

Working range

Hydraulic offset swingaway

52 m (171 ft) main boom with hydraulic luffing 10 m (32.8 ft) and 17 m (55.8 ft) swingaway



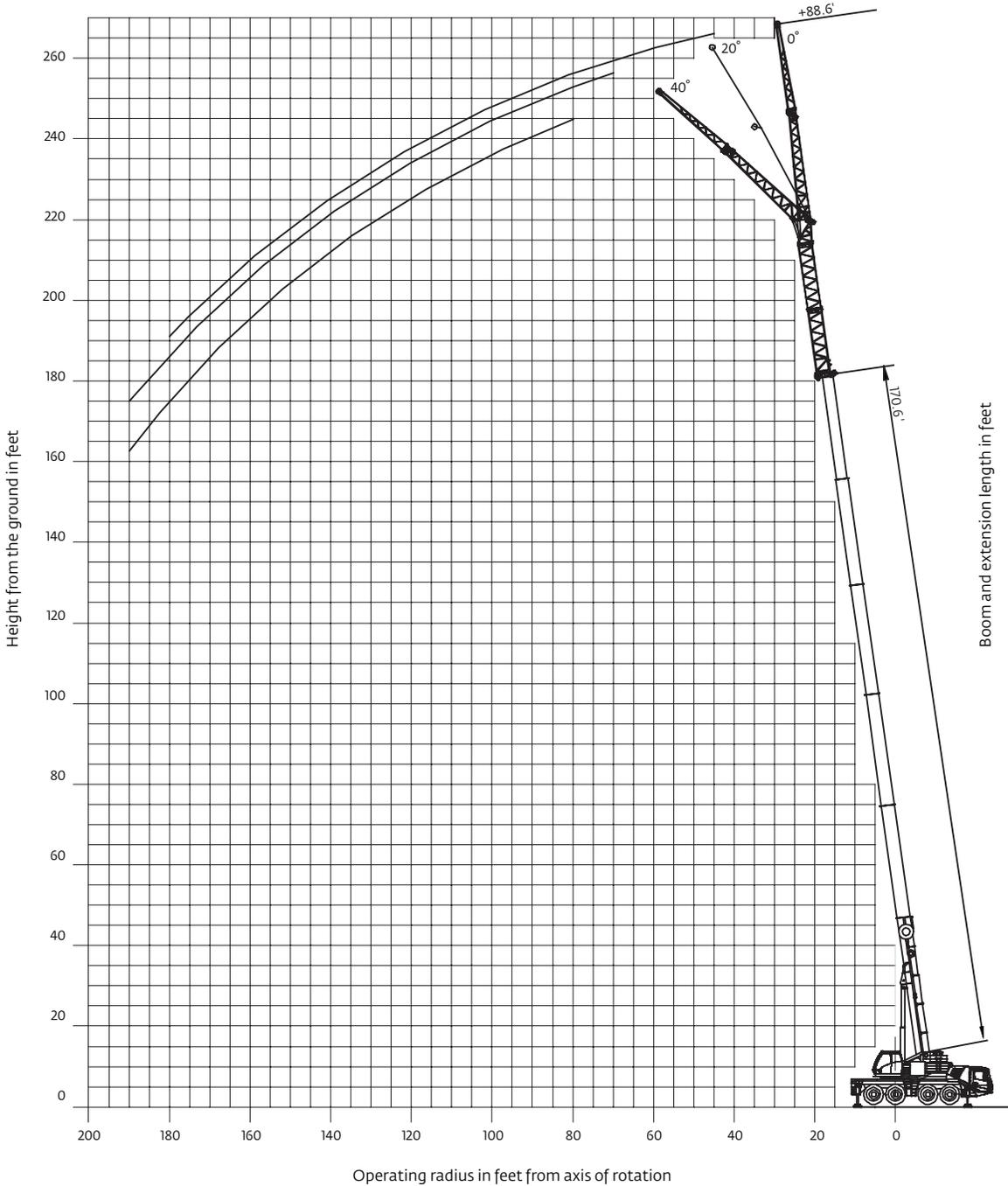
THIS CHART IS ONLY A GUIDE AND SHOULD NOT BE USED TO OPERATE THE CRANE.

The individual crane's load chart, operating instructions and other instructional plates must be read and understood prior to operating the crane

Working range

Hydraulic offset swingaway

52 m (171 ft) main boom with hydraulic luffing 17 m (55.8 ft) swingaway and two 5 m (16 ft) inserts



Load chart

Hydraulic offset swingaway



52 m (171 ft)



10-17-22-27 m
(32.8-55.8-72.3-88.6 ft)
Hydraulic luffing
stationary



26 082 kg
(57,500 lb)



7,0 m
(23 ft)
100%



360°



Pounds x 1000

Feet	170.6 + 32.8			170.6 + 55.8			170.6 + 72.2			170.6 + 88.6			Feet
	0°	0°-20°	20°-40°	0°	0°-20°	20°-40°	0°	0°-20°	20°-40°	0°	0°-20°	20°-40°	
35	10.8												35
40	10.8	10.8		7.4			5.8						40
45	10.8	10.8		7.4			5.8			4.0			45
50	10.8	10.8	10.0	7.4			5.8			4.0			50
55	10.8	10.8	10.0	7.7	7.4		5.8			4.0			55
60	10.8	10.8	10.0	7.4	7.4		5.8	5.8		4.0			60
65	10.8	10.8	10.0	7.4	7.4		5.8	5.8		4.0			65
70	10.8	10.8	10.0	7.4	7.4	6.2	5.8	5.8		4.0	4.0		70
75	10.8	10.8	10.0	7.4	7.4	6.2	5.8	5.8	5.6	4.0	4.0		75
80	10.8	10.8	10.0	7.4	7.4	6.2	5.8	5.8	5.6	4.0	4.0	4.0	80
85	10.8	10.4	10.0	7.4	7.4	6.2	5.8	5.8	5.6	4.0	4.0	4.0	85
90	10.4	10.0	9.8	7.4	7.2	6.2	5.8	5.8	5.6	4.0	4.0		90
95	10.0	9.8	9.6	7.4	7.2	6.0	5.8	5.8	5.6	4.0	4.0	4.0	95
100	9.4	9.4	9.2	7.4	7.0	6.0	5.8	5.8	5.6	4.0	4.0	4.0	100
105	9.0	9.0	9.0	7.4	6.8	6.0	5.8	5.8	5.6	4.0	4.0	4.0	105
110	8.4	8.6	8.6	7.4	6.8	5.8	5.8	5.8	5.6	4.0	4.0	4.0	110
115	8.0	8.2	8.4	7.2	6.6	5.8	5.8	5.6	5.6	4.0	4.0	4.0	115
120	7.4	7.6	8.0	6.8	6.4	5.8	5.8	5.6	5.4	4.0	4.0	4.0	120
125	7.0	7.0	7.6	6.6	6.4	5.8	5.6	5.4	5.2	4.0	4.0	4.0	125
130	6.4	6.4	6.8	6.4	6.2	5.6	5.4	5.2	5.0	4.0	4.0	4.0	130
135	5.8	5.8	6.2	6.0	6.0	5.6	5.2	5.0	5.0	4.0	4.0	4.0	135
140	5.0	5.0	5.4	5.6	5.6	5.6	5.0	4.8	4.8	4.0	4.0	4.0	140
145	4.6	4.6	4.8	5.0	5.0	5.6	4.8	4.6	4.6	3.8	3.8	3.8	145
150	4.0	4.0	4.4	4.4	4.4	5.2	4.2	4.2	4.6	3.6	3.6	3.6	150
155	3.4	3.4	3.8	4.0	4.0	4.6	3.8	3.8	4.4	3.6	3.6	3.6	155
160	3.0	3.0		3.6	3.6	4.2	3.4	3.4	4.0	3.2	3.2	3.4	160
165	2.6	2.6		3.0	3.0	3.6	2.8	2.8	3.6	2.8	2.8	3.4	165
170	2.2	2.2		2.6	2.6	3.2	2.4	2.4	3.0	2.4	2.4	3.0	170
175	1.8	1.8		2.2	2.2	2.8	2.0	2.0	2.6	2.0	2.0	2.6	175
180	1.4	1.4		2.0	2.0		1.8	1.8	2.2	1.6	1.6	2.2	180
185				1.6	1.6				1.8			1.8	185
190									1.4			1.6	190

THIS CHART IS ONLY A GUIDE AND SHOULD NOT BE USED TO OPERATE THE CRANE.

The individual crane's load chart, operating instructions and other instructional plates must be read and understood prior to operating the crane

Load chart

Hydraulic offset swingaway



52 m (171 ft)



10-17-22-27 m
(32.8-55.8-72.3-88.6 ft)
Hydraulic luffing
loads luffing



26 082 kg
(57,500 lb)



7,0 m
(23 ft)
100%



360°



Pounds x 1000

Feet	170.6 + 32.8		170.6 + 55.8		170.6 + 72.2		170.6 + 88.6		Feet
	0°-20°	20°-40°	0°-20°	20°-40°	0°-20°	20°-40°	0°-20°	20°-40°	
35									35
40	10.8								40
45	10.8								45
50	10.8	9.4							50
55	10.8	9.4	7.2						55
60	10.8	9.4	7.2		5.8				60
65	10.8	9.4	7.2		5.8				65
70	10.8	9.4	7.2	6.0	5.8		4.0		70
75	10.8	9.4	7.2	6.0	5.8	5.2	4.0		75
80	10.4	9.4	7.2	6.0	5.8	5.2	4.0	4.0	80
85	10.0	9.4	7.0	6.0	5.8	5.2	4.0	4.0	85
90	9.6	9.4	6.8	5.8	5.8	5.2	4.0	4.0	90
95	9.2	9.2	6.6	5.8	5.8	5.2	4.0	4.0	95
100	8.8	8.8	6.4	5.6	5.8	5.2	4.0	4.0	100
105	8.6	8.6	6.2	5.6	5.8	5.2	4.0	4.0	105
110	8.2	8.2	6.0	5.4	5.6	5.2	4.0	4.0	110
115	7.8	8.0	6.0	5.4	5.4	5.2	4.0	4.0	115
120	7.4	7.6	5.8	5.4	5.2	5.2	4.0	4.0	120
125	6.6	7.2	5.6	5.2	5.0	5.0	4.0	4.0	125
130	6.0	6.4	5.6	5.2	5.0	4.8	4.0	4.0	130
135	5.4	5.8	5.4	5.2	4.8	4.8	3.8	3.8	135
140	4.8	5.2	5.2	5.2	4.6	4.6	3.8	3.8	140
145	4.4	4.6	4.8	5.0	4.4	4.4	3.6	3.6	145
150	3.8	4.2	4.2	4.8	4.2	4.4	3.4	3.4	150
155	3.4	3.6	3.8	4.4	3.6	4.2	3.4	3.4	155
160	3.0		3.4	4.0	3.2	3.8	3.2	3.2	160
165	2.6		3.0	3.6	2.8	3.4	2.8	3.2	165
170	2.2		2.6	3.2	2.4	3.0	2.4	3.0	170
175	1.8		2.2	2.8	2.0	2.6	2.0	2.6	175
180	1.4		2.0		1.8		1.6	2.2	180
185			1.6			1.8		1.8	185
190						1.4		1.6	190

THIS CHART IS ONLY A GUIDE AND SHOULD NOT BE USED TO OPERATE THE CRANE.

Load chart

Hydraulic offset swingaway



52 m (171 ft)



10-17-22-27 m
(32.8-55.8-72.3-88.6 ft)
Hydraulic luffing
stationary



23 859 kg
(52,600 lb)



7,0 m
(23 ft)
100%



360°



Pounds x 1000

Feet	170.6 + 32.8			170.6 + 55.8			170.6 + 72.2			170.6 + 88.6			Feet
	0°	0°-20°	20°-40°	0°	0°-20°	20°-40°	0°	0°-20°	20°-40°	0°	0°-20°	20°-40°	
35	10.8												35
40	10.8	10.8		7.4			5.8						40
45	10.8	10.8		7.4			5.8			4.0			45
50	10.8	10.8	10.0	7.4			5.8			4.0			50
55	10.8	10.8	10.0	7.7	7.4		5.8			4.0			55
60	10.8	10.8	10.0	7.4	7.4		5.8	5.8		4.0			60
65	10.8	10.8	10.0	7.4	7.4		5.8	5.8		4.0			65
70	10.8	10.8	10.0	7.4	7.4	6.2	5.8	5.8		4.0	4.0		70
75	10.8	10.8	10.0	7.4	7.4	6.2	5.8	5.8	5.6	4.0	4.0		75
80	10.8	10.8	10.0	7.4	7.4	6.2	5.8	5.8	5.6	4.0	4.0	4.0	80
85	10.8	10.4	10.0	7.4	7.4	6.2	5.8	5.8	5.6	4.0	4.0	4.0	85
90	10.4	10.0	9.8	7.4	7.2	6.2	5.8	5.8	5.6	4.0	4.0	4.0	90
95	10.0	9.8	9.6	7.4	7.2	6.0	5.8	5.8	5.6	4.0	4.0	4.0	95
100	9.4	9.4	9.2	7.4	7.0	6.0	5.8	5.8	5.6	4.0	4.0	4.0	100
105	9.0	9.0	9.0	7.4	6.8	6.0	5.8	5.8	5.6	4.0	4.0	4.0	105
110	8.4	8.4	8.6	7.4	6.8	5.8	5.8	5.8	5.6	4.0	4.0	4.0	110
115	7.6	7.6	8.2	7.2	6.6	5.8	5.8	5.6	5.6	4.0	4.0	4.0	115
120	7.0	7.0	7.4	6.8	6.4	5.8	5.8	5.6	5.4	4.0	4.0	4.0	120
125	6.2	6.2	6.8	6.6	6.4	5.8	5.6	5.4	5.2	4.0	4.0	4.0	125
130	5.6	5.6	6.0	6.0	6.0	5.6	5.4	5.2	5.0	4.0	4.0	4.0	130
135	5.0	5.0	5.4	5.4	5.4	5.6	5.0	5.0	5.0	4.0	4.0	4.0	135
140	4.4	4.4	4.8	4.8	4.8	5.6	4.6	4.6	4.8	4.0	4.0	4.0	140
145	3.8	3.8	4.2	4.2	4.2	5.0	4.0	4.0	4.6	3.8	3.8	3.8	145
150	3.2	3.2	3.6	3.8	3.8	4.4	3.6	3.6	4.2	3.4	3.4	3.6	150
155	2.8	2.8	3.2	3.4	3.4	4.0	3.2	3.2	3.8	3.0	3.0	3.6	155
160	2.4	2.4		2.8	2.8	3.4	2.6	2.6	3.4	2.6	2.6	3.2	160
165	2.0	2.0		2.4	2.4	3.0	2.2	2.2	3.0	2.2	2.2	2.8	165
170	1.6	1.6		2.0	2.0	2.6	1.8	1.8	2.4	1.8	1.8	2.4	170
175				1.6	1.6	2.2	1.6	1.6	2.0	1.4	1.4	2.0	175
180									1.6			1.6	180

THIS CHART IS ONLY A GUIDE AND SHOULD NOT BE USED TO OPERATE THE CRANE.

The individual crane's load chart, operating instructions and other instructional plates must be read and understood prior to operating the crane

Load chart

Hydraulic offset swingaway

 52 m (171 ft)

 10-17-22-27 m
(32.8-55.8-72.3-88.6 ft)
Hydraulic luffing
loads luffing

 23 859 kg
(52,600 lb)

 7,0 m
(23 ft)
100%

 360°



Pounds x 1000

Feet	170.6 + 32.8		170.6 + 55.8		170.6 + 72.2		170.6 + 88.6		Feet
	0°-20°	20°-40°	0°-20°	20°-40°	0°-20°	20°-40°	0°-20°	20°-40°	
35									35
40	10.8								40
45	10.8								45
50	10.8	9.4							50
55	10.8	9.4	7.2						55
60	10.8	9.4	7.2		5.8				60
65	10.8	9.4	7.2		5.8				65
70	10.8	9.4	7.2	6.0	5.8		4.0		70
75	10.8	9.4	7.2	6.0	5.8	5.2	4.0		75
80	10.4	9.4	7.2	6.0	5.8	5.2	4.0	4.0	80
85	10.0	9.4	7.0	6.0	5.8	5.2	4.0	4.0	85
90	9.6	9.4	6.8	5.8	5.8	5.2	4.0	4.0	90
95	9.2	9.2	6.6	5.8	5.8	5.2	4.0	4.0	95
100	8.8	8.8	6.4	5.6	5.8	5.2	4.0	4.0	100
105	8.6	8.6	6.2	5.6	5.8	5.2	4.0	4.0	105
110	8.2	8.2	6.0	5.4	5.6	5.2	4.0	4.0	110
115	7.4	8.0	6.0	5.4	5.4	5.2	4.0	4.0	115
120	6.6	7.2	5.8	5.4	5.2	5.2	4.0	4.0	120
125	6.0	6.4	5.6	5.2	5.0	5.0	4.0	4.0	125
130	5.4	5.8	5.6	5.2	5.0	4.8	4.0	4.0	130
135	4.8	5.2	5.2	5.2	4.8	4.8	3.8	3.8	135
140	4.2	4.6	4.6	5.2	4.6	4.6	3.8	3.8	140
145	3.8	4.0	4.2	4.8	4.0	4.4	3.6	3.6	145
150	3.2	3.6	3.6	4.2	3.6	4.2	3.4	3.4	150
155	2.8	3.0	3.2	3.8	3.2	3.8	3.0	3.4	155
160	2.4		2.8	3.4	2.6	3.2	2.6	3.2	160
165	2.0		2.4	3.0	2.2	2.8	2.2	2.8	165
170	1.6		2.0	2.6	1.8	2.4	1.8	2.4	170
175			1.6	2.2	1.6	2.0	1.4	2.0	175
180						1.6		1.6	180

THIS CHART IS ONLY A GUIDE AND SHOULD NOT BE USED TO OPERATE THE CRANE.

The individual crane's load chart, operating instructions and other instructional plates must be read and understood prior to operating the crane

Load chart

Hydraulic offset swingaway

 52 m (171 ft)
  10-17-22-27 m
(32.8-55.8-72.3-88.6 ft)
Hydraulic luffing
stationary
  19 459 kg
(42,900 lb)
  7,0 m
(23 ft)
100%
  360°



Pounds x 1000

Feet	170.6 + 32.8			170.6 + 55.8			170.6 + 72.2			170.6 + 88.6			Feet
	0°	0°-20°	20°-40°	0°	0°-20°	20°-40°	0°	0°-20°	20°-40°	0°	0°-20°	20°-40°	
35	10.8												35
40	10.8	10.8		7.4			5.8						40
45	10.8	10.8		7.4			5.8			4.0			45
50	10.8	10.8	10.0	7.4			5.8			4.0			50
55	10.8	10.8	10.0	7.7	7.4		5.8			4.0			55
60	10.8	10.8	10.0	7.4	7.4		5.8	5.8		4.0			60
65	10.8	10.8	10.0	7.4	7.4		5.8	5.8		4.0			65
70	10.8	10.8	10.0	7.4	7.4	6.2	5.8	5.8		4.0	4.0		70
75	10.8	10.8	10.0	7.4	7.4	6.2	5.8	5.8	5.6	4.0	4.0		75
80	10.8	10.8	10.0	7.4	7.4	6.2	5.8	5.8	5.6	4.0	4.0	4.0	80
85	10.8	10.4	10.0	7.4	7.4	6.2	5.8	5.8	5.6	4.0	4.0	4.0	85
90	10.2	10.0	9.8	7.4	7.2	6.2	5.8	5.8	5.6	4.0	4.0	4.0	90
95	9.2	9.2	9.6	7.4	7.2	6.0	5.8	5.8	5.6	4.0	4.0	4.0	95
100	8.2	8.2	8.8	7.4	7.0	6.0	5.8	5.8	5.6	4.0	4.0	4.0	100
105	7.4	7.4	8.0	7.4	6.8	6.0	5.8	5.8	5.6	4.0	4.0	4.0	105
110	6.6	6.6	7.2	6.8	6.8	5.8	5.8	5.8	5.6	4.0	4.0	4.0	110
115	5.8	5.8	6.4	6.2	6.2	5.8	5.8	5.6	5.6	4.0	4.0	4.0	115
120	5.2	5.2	5.8	5.6	5.6	5.8	5.2	5.2	5.4	4.0	4.0	4.0	120
125	4.6	4.6	5.0	5.0	5.0	5.8	4.6	4.6	5.2	4.0	4.0	4.0	125
130	4.0	4.0	4.4	4.4	4.4	5.2	4.0	4.0	5.0	3.8	3.8	4.0	130
135	3.4	3.4	3.8	3.8	3.8	4.6	3.6	3.6	4.4	3.4	3.4	4.0	135
140	2.8	2.8	3.2	3.4	3.4	4.2	3.0	3.0	3.8	3.0	3.0	3.8	140
145	2.4	2.4	2.8	3.0	3.0	3.6	2.6	2.6	3.4	2.6	2.6	3.2	145
150	2.0	2.0	2.2	2.4	2.4	3.2	2.2	2.2	3.0	2.2	2.2	2.8	150
155	1.6	1.6	1.8	2.0	2.0	2.6	1.8	1.8	2.6	1.8	1.8	2.4	155
160				1.6	1.6	2.2			2.2			2.0	160
165						1.8			1.6			1.6	165

THIS CHART IS ONLY A GUIDE AND SHOULD NOT BE USED TO OPERATE THE CRANE.

The individual crane's load chart, operating instructions and other instructional plates must be read and understood prior to operating the crane

Load chart

Hydraulic offset swingaway

 52 m (171 ft)
  10-17-22-27 m (32.8-55.8-72.3-88.6 ft)
 Hydraulic luffing loads luffing
  19 459 kg (42,900 lb)
  7,0 m (23 ft) 100%
  360°


 Pounds x 1000

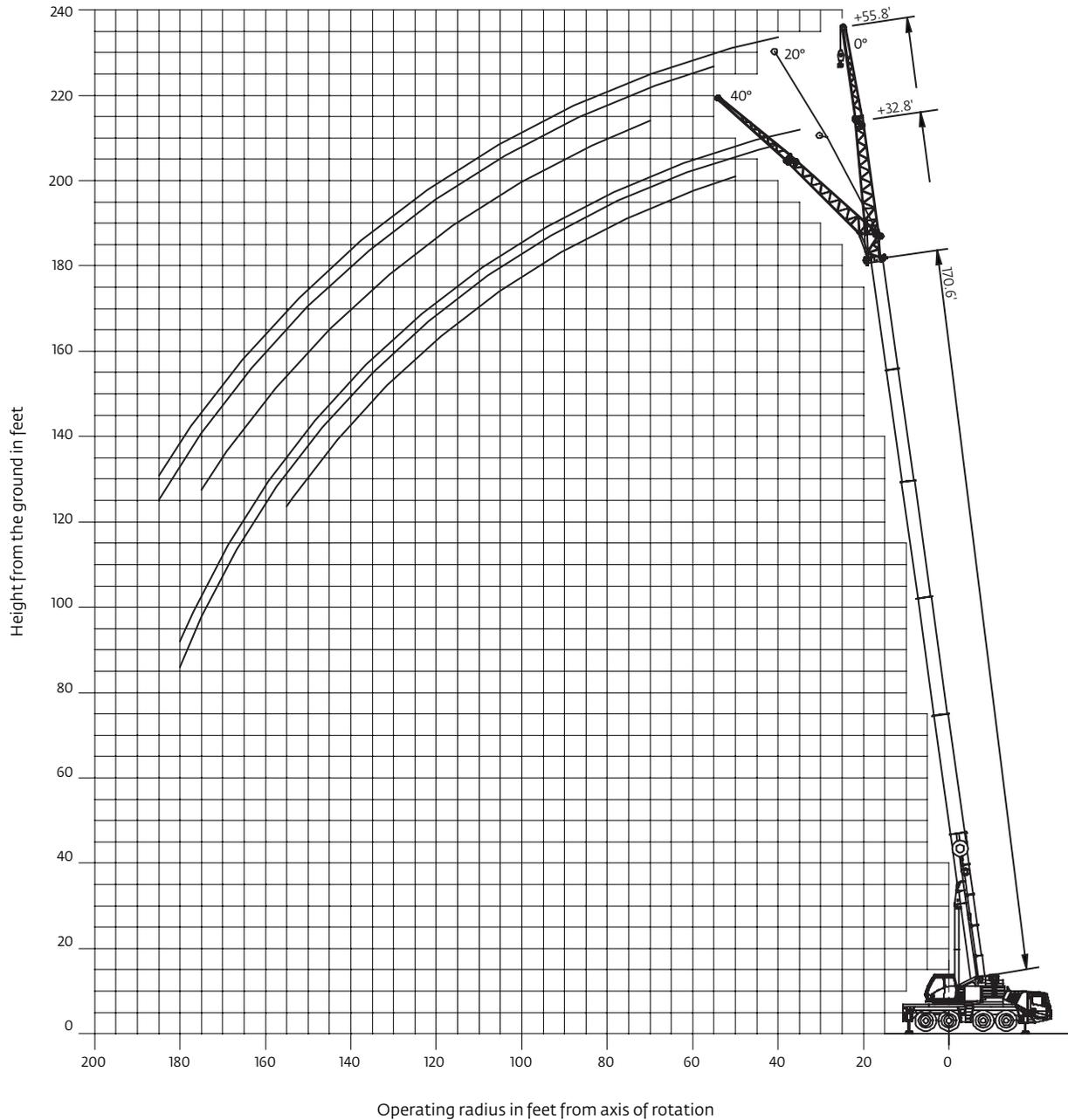
Feet	170.6 + 32.8		170.6 + 55.8		170.6 + 72.2		170.6 + 88.6		Feet
	0°-20°	20°-40°	0°-20°	20°-40°	0°-20°	20°-40°	0°-20°	20°-40°	
35									35
40	10.8								40
45	10.8								45
50	10.8	9.4							50
55	10.8	9.4	7.2						55
60	10.8	9.4	7.2		5.8				60
65	10.8	9.4	7.2		5.8				65
70	10.8	9.4	7.2	6.0	5.8		4.0		70
75	10.8	9.4	7.2	6.0	5.8	5.2	4.0		75
80	10.4	9.4	7.2	6.0	5.8	5.2	4.0	4.0	80
85	10.0	9.4	7.0	6.0	5.8	5.2	4.0	4.0	85
90	9.6	9.4	6.8	5.8	5.8	5.2	4.0	4.0	90
95	9.2	9.2	6.6	5.8	5.8	5.2	4.0	4.0	95
100	8.2	8.8	6.4	5.6	5.8	5.2	4.0	4.0	100
105	7.4	8.0	6.2	5.6	5.8	5.2	4.0	4.0	105
110	6.6	7.2	6.0	5.4	5.6	5.2	4.0	4.0	110
115	5.8	6.4	6.0	5.4	5.4	5.2	4.0	4.0	115
120	5.2	5.6	5.6	5.4	5.2	5.2	4.0	4.0	120
125	4.6	5.0	5.0	5.2	4.6	5.0	4.0	4.0	125
130	4.0	4.4	4.4	5.2	4.0	4.8	3.8	4.0	130
135	3.4	3.8	3.8	4.6	3.6	4.4	3.4	3.8	135
140	2.8	3.2	3.4	4.0	3.0	3.8	3.0	3.8	140
145	2.4	2.8	3.0	3.6	2.6	3.4	2.6	3.2	145
150	2.0	2.2	2.4	3.2	2.2	3.0	2.2	2.8	150
155	1.6	1.8	2.0	2.6	1.8	2.6	1.8	2.4	155
160			1.6	2.2		2.2		2.0	160
165				1.8		1.6		1.6	165

THIS CHART IS ONLY A GUIDE AND SHOULD NOT BE USED TO OPERATE THE CRANE.

Working range

Manual offset swingaway

52 m (171 ft) main boom with manual offset 10 m (32.8 ft) and 17 m (55.8 ft) swingaway



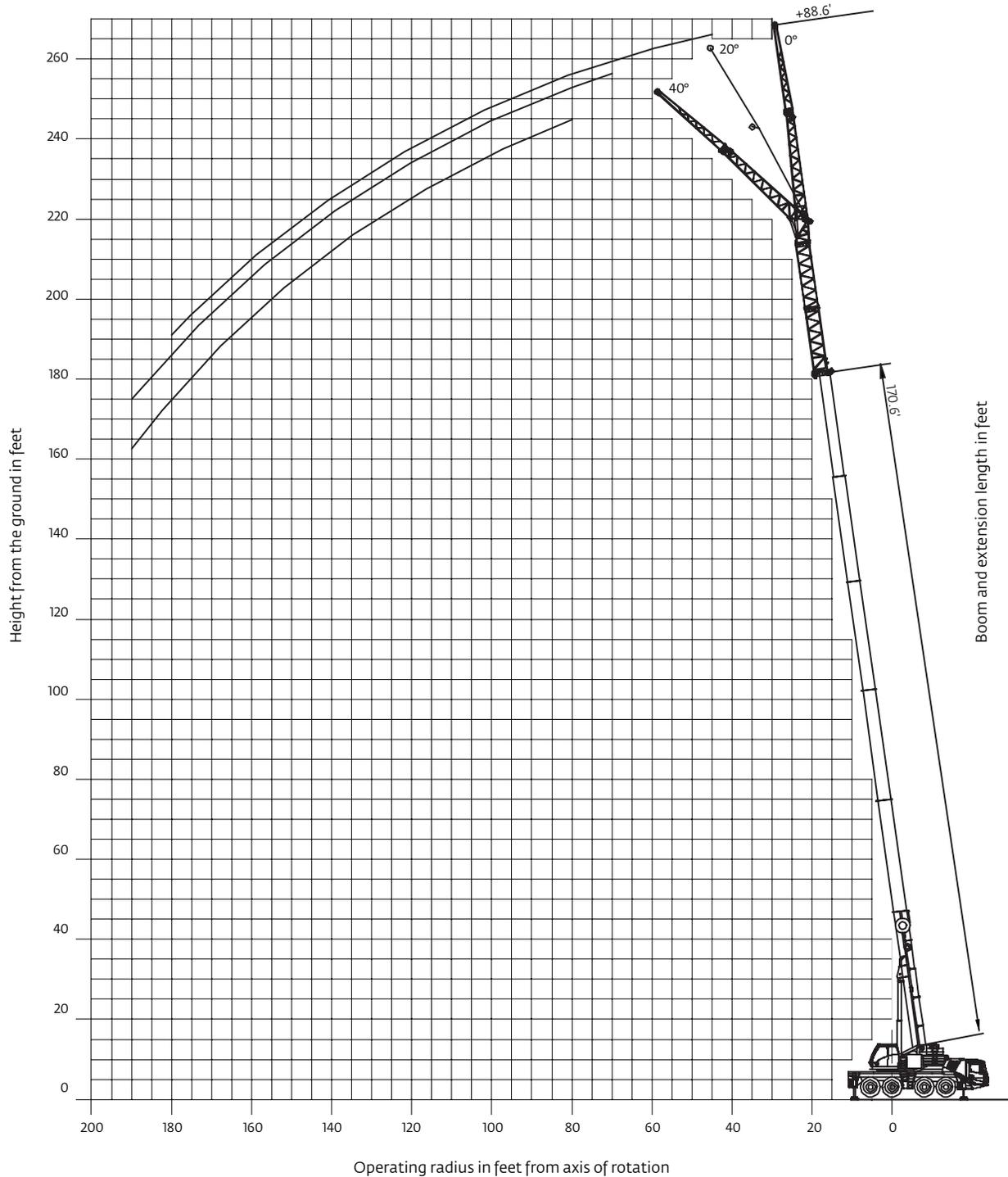
THIS CHART IS ONLY A GUIDE AND SHOULD NOT BE USED TO OPERATE THE CRANE.

The individual crane's load chart, operating instructions and other instructional plates must be read and understood prior to operating the crane

Working range

Manual offset swingaway

52 m (171 ft) main boom with manual offset 17 m (55.8 ft) swingaway and two 5 m (16 ft) inserts



Load chart

Manual offset swingaway



52 m (171 ft)



10-17-22-27 m
(32.8-55.8-72.3-88.6 ft)
Hydraulic luffing
stationary



26 082 kg
(57,500 lb)



7,0 m
(23 ft)
100%



360°



Pounds x 1000

Feet	170.6 + 32.8			170.6 + 55.8			170.6 + 72.2			170.6 + 88.6			Feet
	0°	20°	40°	0°	20°	40°	0°	20°	40°	0°	20°	40°	
35	10.8												35
40	10.8	10.8		7.4			5.8						40
45	10.8	10.8		7.4			5.8			4.0			45
50	10.8	10.8	10.0	7.4			5.8			4.0			50
55	10.8	10.8	10.0	7.7	7.4		5.8			4.0			55
60	10.8	10.8	10.0	7.4	7.4		5.8	5.8		4.0			60
65	10.8	10.8	10.0	7.4	7.4		5.8	5.8		4.0			65
70	10.8	10.8	10.0	7.4	7.4	6.2	5.8	5.8		4.0	4.0		70
75	10.8	10.8	10.0	7.4	7.4	6.2	5.8	5.8	5.6	4.0	4.0		75
80	10.8	10.8	10.0	7.4	7.4	6.2	5.8	5.8	5.6	4.0	4.0	4.0	80
85	10.8	10.4	10.0	7.4	7.4	6.2	5.8	5.8	5.6	4.0	4.0	4.0	85
90	10.4	10.0	9.8	7.4	7.2	6.2	5.8	5.8	5.6	4.0	4.0	4.0	90
95	10.0	9.8	9.6	7.4	7.2	6.0	5.8	5.8	5.6	4.0	4.0	4.0	95
100	9.4	9.4	9.2	7.4	7.0	6.0	5.8	5.8	5.6	4.0	4.0	4.0	100
105	9.0	9.0	9.0	7.4	6.8	6.0	5.8	5.8	5.6	4.0	4.0	4.0	105
110	8.4	8.6	8.6	7.4	6.8	5.8	5.8	5.8	5.6	4.0	4.0	4.0	110
115	8.0	8.2	8.4	7.2	6.6	5.8	5.8	5.6	5.6	4.0	4.0	4.0	115
120	7.4	7.6	8.0	6.8	6.4	5.8	5.8	5.6	5.4	4.0	4.0	4.0	120
125	7.0	7.2	7.6	6.6	6.4	5.8	5.6	5.4	5.2	4.0	4.0	4.0	125
130	6.4	6.8	7.0	6.4	6.2	5.6	5.4	5.2	5.0	4.0	4.0	4.0	130
135	5.8	6.2	6.4	6.0	6.0	5.6	5.2	5.0	5.0	4.0	4.0	4.0	135
140	5.0	5.4	5.6	5.6	5.8	5.6	5.0	4.8	4.8	4.0	4.0	4.0	140
145	4.6	4.8	5.0	5.0	5.6	5.6	4.8	4.6	4.6	3.8	3.8	3.8	145
150	4.0	4.4	4.4	4.4	5.2	5.4	4.2	4.6	4.6	3.6	3.6	3.6	150
155	3.4	3.8	3.8	4.0	4.6	5.0	3.8	4.4	4.4	3.6	3.6	3.6	155
160	3.0	3.2		3.6	4.2	4.4	3.4	4.0	4.2	3.2	3.4	3.4	160
165	2.6	2.8		3.0	3.6	4.0	2.8	3.6	4.0	2.8	3.2	3.4	165
170	2.2	2.4		2.6	3.2	3.4	2.4	3.0	3.4	2.4	3.0	3.2	170
175	1.8	2.0		2.2	2.8	3.0	2.0	2.6	3.0	2.0	2.6	3.0	175
180	1.4	1.6		2.0	2.4		1.8	2.2	2.4	1.6	2.2	2.6	180
185				1.6	2.0			1.8	2.0		1.8	2.2	185
190					1.6			1.4	1.6		1.6	1.8	190

Load chart

Manual offset swingaway



52 m (171 ft)



10-17-22-27 m
(32.8-55.8-72.3-88.6 ft)
Hydraulic luffing
stationary



23 859 kg
(52,600 lb)



7,0 m
(23 ft)
100%



360°



Pounds x 1000

Feet	170.6 + 32.8			170.6 + 55.8			170.6 + 72.2			170.6 + 88.6			Feet
	0°	20°	40°	0°	20°	40°	0°	20°	40°	0°	20°	40°	
35	10.8												35
40	10.8	10.8		7.4			5.8						40
45	10.8	10.8		7.4			5.8			4.0			45
50	10.8	10.8	10.0	7.4			5.8			4.0			50
55	10.8	10.8	10.0	7.7	7.4		5.8			4.0			55
60	10.8	10.8	10.0	7.4	7.4		5.8	5.8		4.0			60
65	10.8	10.8	10.0	7.4	7.4		5.8	5.8		4.0			65
70	10.8	10.8	10.0	7.4	7.4	6.2	5.8	5.8		4.0	4.0		70
75	10.8	10.8	10.0	7.4	7.4	6.2	5.8	5.8	5.6	4.0	4.0		75
80	10.8	10.8	10.0	7.4	7.4	6.2	5.8	5.8	5.6	4.0	4.0	4.0	80
85	10.8	10.4	10.0	7.4	7.4	6.2	5.8	5.8	5.6	4.0	4.0	4.0	85
90	10.4	10.0	9.8	7.4	7.2	6.2	5.8	5.8	5.6	4.0	4.0	4.0	90
95	10.0	9.8	9.6	7.4	7.2	6.0	5.8	5.8	5.6	4.0	4.0	4.0	95
100	9.4	9.4	9.2	7.4	7.0	6.0	5.8	5.8	5.6	4.0	4.0	4.0	100
105	9.0	9.0	9.0	7.4	6.8	6.0	5.8	5.8	5.6	4.0	4.0	4.0	105
110	8.4	8.6	8.6	7.4	6.8	5.8	5.8	5.8	5.6	4.0	4.0	4.0	110
115	7.6	8.2	8.4	7.2	6.6	5.8	5.8	5.6	5.6	4.0	4.0	4.0	115
120	7.0	7.4	7.8	6.8	6.4	5.8	5.8	5.6	5.4	4.0	4.0	4.0	120
125	6.2	6.8	7.0	6.6	6.4	5.8	5.6	5.4	5.2	4.0	4.0	4.0	125
130	5.6	6.0	6.4	6.0	6.2	5.6	5.4	5.2	5.0	4.0	4.0	4.0	130
135	5.0	5.4	5.6	5.4	6.0	5.6	5.0	5.0	5.0	4.0	4.0	4.0	135
140	4.4	4.8	5.0	4.8	5.6	5.6	4.6	4.8	4.8	4.0	4.0	4.0	140
145	3.8	4.2	4.4	4.2	5.0	5.6	4.0	4.6	4.6	3.8	3.8	3.8	145
150	3.2	3.6	3.8	3.8	4.4	5.0	3.6	4.2	4.6	3.4	3.6	3.6	150
155	2.8	3.2	3.2	3.4	4.0	4.4	3.2	3.8	4.2	3.0	3.6	3.6	155
160	2.4	2.6		2.8	3.4	3.8	2.6	3.4	3.8	2.6	3.2	3.4	160
165	2.0	2.2		2.4	3.0	3.2	2.2	3.0	3.2	2.2	2.8	3.2	165
170	1.6	1.8		2.0	2.6	2.8	1.8	2.4	2.8	1.8	2.4	2.8	170
175				1.6	2.2	2.4	1.6	2.0	2.4	1.4	2.0	2.4	175
180					1.8			1.6			1.6		180
185									1.4			1.6	185

THIS CHART IS ONLY A GUIDE AND SHOULD NOT BE USED TO OPERATE THE CRANE.

Load chart

Manual offset swingaway



52 m (171 ft)



10-17-22-27 m
(32.8-55.8-72.3-88.6 ft)
Hydraulic luffing
stationary



19 459 kg
(42,900 lb)



7,0 m
(23 ft)
100%



360°



Pounds x 1000

Feet	170.6 + 32.8			170.6 + 55.8			170.6 + 72.2			170.6 + 88.6			Feet
	0°	20°	40°	0°	20°	40°	0°	20°	40°	0°	20°	40°	
35	10.8												35
40	10.8	10.8		7.4			5.8						40
45	10.8	10.8		7.4			5.8			4.0			45
50	10.8	10.8	10.0	7.4			5.8			4.0			50
55	10.8	10.8	10.0	7.7	7.4		5.8			4.0			55
60	10.8	10.8	10.0	7.4	7.4		5.8	5.8		4.0			60
65	10.8	10.8	10.0	7.4	7.4		5.8	5.8		4.0			65
70	10.8	10.8	10.0	7.4	7.4	6.2	5.8	5.8		4.0	4.0		70
75	10.8	10.8	10.0	7.4	7.4	6.2	5.8	5.8	5.6	4.0	4.0		75
80	10.8	10.8	10.0	7.4	7.4	6.2	5.8	5.8	5.6	4.0	4.0	4.0	80
85	10.8	10.4	10.0	7.4	7.4	6.2	5.8	5.8	5.6	4.0	4.0	4.0	85
90	10.2	10.0	9.8	7.4	7.2	6.2	5.8	5.8	5.6	4.0	4.0	4.0	90
95	9.2	9.8	9.6	7.4	7.2	6.0	5.8	5.8	5.6	4.0	4.0	4.0	95
100	8.2	8.8	9.2	7.4	7.0	6.0	5.8	5.8	5.6	4.0	4.0	4.0	100
105	7.4	8.0	8.4	7.4	6.8	6.0	5.8	5.8	5.6	4.0	4.0	4.0	105
110	6.6	7.2	7.6	6.8	6.8	5.8	5.8	5.8	5.6	4.0	4.0	4.0	110
115	5.8	6.4	6.8	6.2	6.6	5.8	5.8	5.6	5.6	4.0	4.0	4.0	115
120	5.2	5.8	6.0	5.6	6.4	5.8	5.2	5.6	5.4	4.0	4.0	4.0	120
125	4.6	5.0	5.4	5.0	5.8	5.8	4.6	5.4	5.2	4.0	4.0	4.0	125
130	4.0	4.4	4.8	4.4	5.2	5.6	4.0	5.0	5.0	3.8	4.0	4.0	130
135	3.4	3.8	4.0	3.8	4.6	5.2	3.6	4.4	5.0	3.4	4.0	4.0	135
140	2.8	3.2	3.4	3.4	4.2	4.6	3.0	3.8	4.4	3.0	3.8	4.0	140
145	2.4	2.8	3.0	3.0	3.6	4.2	2.6	3.4	4.0	2.6	3.2	3.8	145
150	2.0	2.2	2.4	2.4	3.2	3.6	2.2	3.0	3.4	2.2	2.8	3.4	150
155	1.6	1.8	2.0	2.0	2.6	3.0	1.8	2.6	3.0	1.8	2.4	2.8	155
160				1.6	2.2	2.6		2.2	2.6		2.0	2.4	160
165					1.8	2.0		1.6	2.0		1.6	2.0	165
170						1.6			1.6			1.6	170

Symbols glossary



Axles



Counterweight



Grade



Gear



Boom



Drive



Heavy duty jib



Radius



Boom elevation



Electrical system



Hoist



Rotation



Boom extension



Engine



Hookblock



Speed



Boom length



Extension



Hydraulic system



Steering



Boom nose



Frame



Lights



Suspension



Brakes



Fuel tank capacity



Oil



Swing



Cab



Outriggers



Outrigger controls



Tires



Transmission

Notes

Manitowoc Cranes

Regional headquarters

Americas

Manitowoc, Wisconsin, USA

Tel: +1 920 684 6621

Fax: +1 920 683 6277

Shady Grove, Pennsylvania, USA

Tel: +1 717 597 8121

Fax: +1 717 597 4062

Europe, Middle East, Africa

Ecully, France

Tel: +33 (0)4 72 18 20 20

Fax: +33 (0)4 72 18 20 00

China

Shanghai, China

Tel: +86 21 6457 0066

Fax: +86 21 6457 4955

Greater Asia-Pacific

Singapore

Tel: +65 6264 1188

Fax: +65 6862 4040

Regional offices

Americas

Brazil

Alphaville

Mexico

Monterrey

Chile

Santiago

Europe, Middle East, Africa

Czech Republic

Netvorice

France

Baudemont

Cergy

Decines

Germany

Langenfeld

Hungary

Budapest

Italy

Lainate

Netherlands

Breda

Poland

Warsaw

Portugal

Baltar

Russia

Moscow

South Africa

Johannesburg

U.A.E.

Dubai

U.K.

Buckingham

China

Beijing

Chengdu

Guangzhou

Xian

Greater Asia-Pacific

Australia

Brisbane

Melbourne

Sydney

India

Chennai

Delhi

Hyderabad

Pune

Korea

Seoul

Philippines

Makati City

Singapore

Factories

Brazil

Passo Fundo

China

TaiAn

Zhangjiagang

France

Charlieu

Moulins

Germany

Wilhelmshaven

India

Pune

Italy

Niella Tanaro

Portugal

Baltar

Fânzeres

Slovakia

Saris

USA

Manitowoc

Port Washington

Shady Grove

This document is non-contractual. Constant improvement and engineering progress make it necessary that we reserve the right to make specification, equipment, and price changes without notice. Illustrations shown may include optional equipment and accessories and may not include all standard equipment.